



Vapor Actuated Thermometers

CBM and Lower Connection

Remote Reading

Type TI.V45

Thermometers

Application

Oil, gas, petrochemical, chemical, power generation, pulp & paper, HVAC/R, food processing

Size

4 1/2" (114.3 mm) - Type TI.V45

Accuracy

+/-1 Scale division, full scale

Standard Features

Case

Stainless steel, Front Flange, Back Flange

Case Connection

CBM and Lower

Process Connection

Plain, union, or thermowell

Bulb

Union - 7/16" diameter (length is dependent on capillary length)

Plain - 3/8" diameter (length is dependent on capillary length)

Capillary

Copper – plain or with braided armor

Stainless Steel – plain or with interlocking armor

Dials

White coated aluminum with black markings

Pointer

Adjustable, balance, aluminum with matte black finish

Window

Glass, Lexan



Ranges (Dual Scale)	
-40/60 F & C	20/220 F & C
-40/110 F & C	40/240 F & C
-20/100 F & C	30/300 F & C
0/150 F & C	100/350 F & C
0/180 F & C	-----

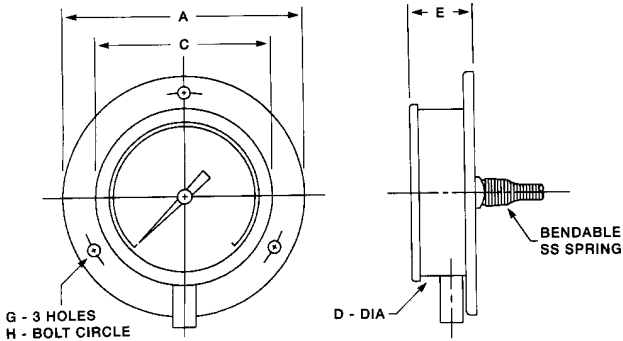
Dimensions:

Back Flange Cases

4½" Case Sizes

Front Flange Case Dimensions

Case Size	Conn.	Panel Hole					
		A	C	D	E	G	H
4½" Back	5⁷⁄₈"	4¹¹⁄₁₆"	4¹⁹⁄₃₂"	1¼"	7⁄₃₂"	5³⁄₈"	
4½" Bottom	5⁷⁄₈"	4¹¹⁄₁₆"	4¹⁹⁄₃₂"	1¼"	7⁄₃₂"	5³⁄₈"	

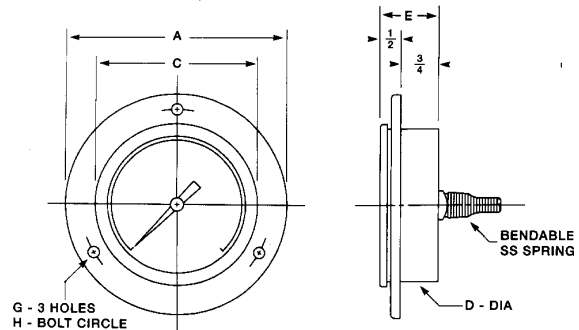


Semi-Flush Cases

4½" Case Sizes

Semi-Flush Dimensions

Case Model	Size	Conn.	Panel Hole						
			A	C	D	E	G	H	
V45RB	4½"	Back	5⁷⁄₈"	4¹¹⁄₁₆"	4¹⁹⁄₃₂"	1¼"	7⁄₃₂"	5³⁄₈"	4⁵⁄₈"



THE MEASURE OF
Total Performance™

Ordering Information:

State computer part number (if available) / type number / size / range / connection size and location / options required.

Specifications given in this price list represent the state of engineering at the time of printing. Modifications may take place and the specified materials may change without prior notice.

05/02



WIKAI Instrument Corporation

1000 Wiegand Boulevard

Lawrenceville, Georgia 30043-5868

Tel: 770-513-8200 Fax: 770-338-5118

http://www.wika.com e-mail: info@wika.com