



# Vapor Actuated Thermometers

## CBM and Lower Connection

### Remote Reading

#### Type TI.V35

## Thermometers

### Application

Oil, gas, petrochemical, chemical, power generation, pulp & paper, HVAC/R, food processing

### Size

3 1/2" (88.9 mm) - Type TI.V35

### Accuracy

+/-1 Scale division, full scale

## Standard Features

### Case

Stainless steel, Front Flange, Back Flange, U-clamp

### Case Connection

CBM and Lower

### Process Connection

Plain, union, or thermowell

### Bulb

Union - 7/16" diameter (length is dependent on capillary length)

Plain - 3/8" diameter (length is dependent on capillary length)

### Capillary

Copper – plain or with braided armor

Stainless Steel – plain or with interlocking armor

### Dials

White coated aluminum with black markings

### Pointer

Adjustable, balance, aluminum with matte black finish

### Window

Glass, Lexan



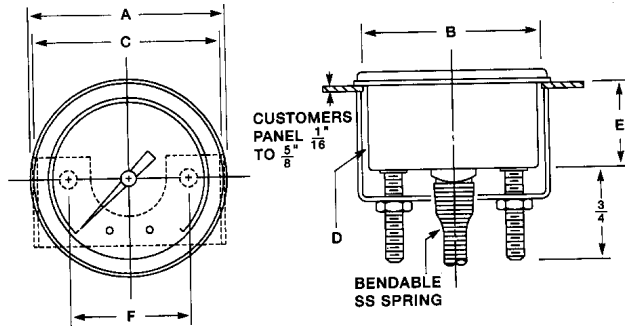
Ranges (Dual Scale)	
-40/60 F & C	20/220 F & C
-40/110 F & C	40/240 F & C
-20/100 F & C	30/300 F & C
0/150 F & C	100/350 F & C
0/180 F & C	-----

**Dimensions:**

**3 1/2" Case Size**

**U - Clamp Dimensions**

Case			Panel Hole					
Model	Size	Conn.	A	B	C	D	E	F
V35 QB	3 1/2"	Back	3 7/8"	3 5/8"	-	3 19/32"	1"	3 1/16"

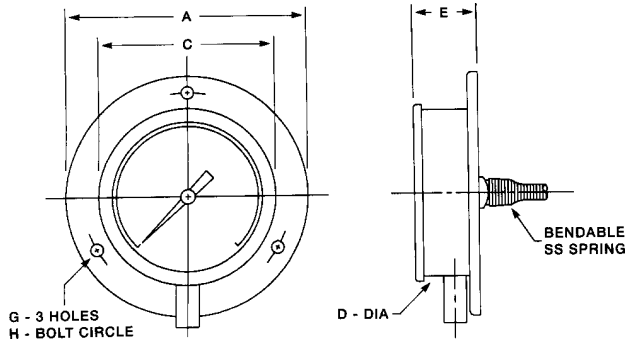


**Back Flange Cases**

**3 1/2" Case Sizes**

**Front Flange Case Dimensions**

Case			Panel Hole					
Model	Size	Conn.	A	C	D	E	G	H
V35BB	3 1/2"	Back	4 3/4"	3 3/16"	3 19/32"	1 1/4"	5/32"	4 5/16"
V35BL	3 1/2"	Bottom	4 3/4"	3 3/16"	3 19/32"	1 1/4"	5/32"	4 5/16"

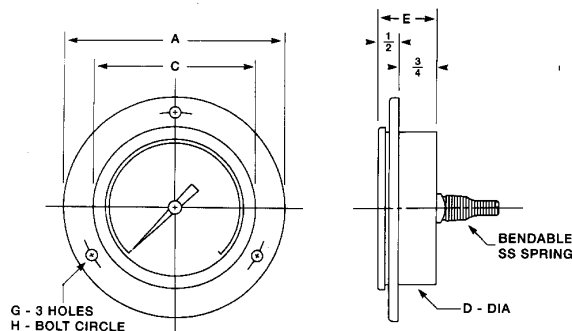


**Semi-Flush Cases**

**3 1/2" Case Sizes**

**Semi-Flush Dimensions**

Case			Panel Hole					
Model	Size	Conn.	A	C	D	E	G	H
V35RB	3 1/2"	Back	4 3/4"	3 11/16"	3 19/32"	1 1/4"	5/32"	4 5/16"



THE MEASURE OF  
**Total Performance™**

**Ordering Information:**

State computer part number (if available) / type number / size / range / connection size and location / options required.

Specifications given in this price list represent the state of engineering at the time of printing. Modifications may take place and the specified materials may change without prior notice



**WIKAI Instrument Corporation**

1000 Wiegand Boulevard

Lawrenceville, Georgia 30043-5868

Tel: 770-513-8200 Fax: 770-338-5118

http://www.wika.com e-mail: info@wika.com