



Gas Actuated Thermometers

CBM, Lower, and Adjustable Angle Connection

Remote and Direct Reading

Type TI.R60

Thermometers

Application

Power transformers, paper mills, refineries, petrochemical, food & pharmaceutical

Size

6" (152.4 mm)

Accuracy

1% of full scale

Standard Features

Case

Drawn stainless steel, aluminum, Phenolic/GRP

Case Connection

CBM, Lower, and Adjustable Angle

Process connection

Plain or union

Bulb

3/8" diameter X 3" active length, plain or bendable extension

Capillary

316 stainless steel; SS spring armor or SS interlocking armor; up to 99 feet

Dials

White coated aluminum with black markings

Pointer

Adjustable, balance, aluminum with matte black finish

Ambient Error

0.25% at midscale of span per 25° F change in ambient temperature

Window

Glass only

Over Range

50% of span above top of range or 1300° F, which ever is lower.

Operating Temperature

Middle 2/3 of the dial scale



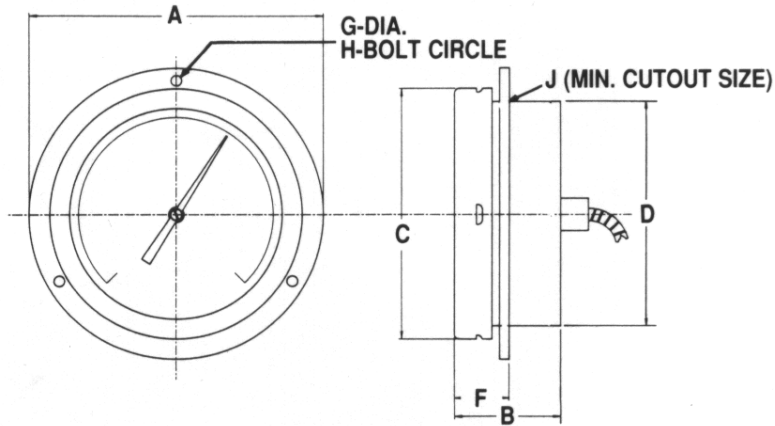
Ranges	
Dual Scale F & C	
-320/100 F	-200/40 C
-120/120 F	-80/50 C
0/120 F	-20/50 C
0/160 F	-20/70 C
-40/180 F	-40/80 C
20/240 F	-110/115 C
0/300 F	-20/150 C
50/550 F	0/300 C
*400/1200 F	200/650 C
50/400 F	0/200 C

*Requires High Temperature Option

Dimensions:

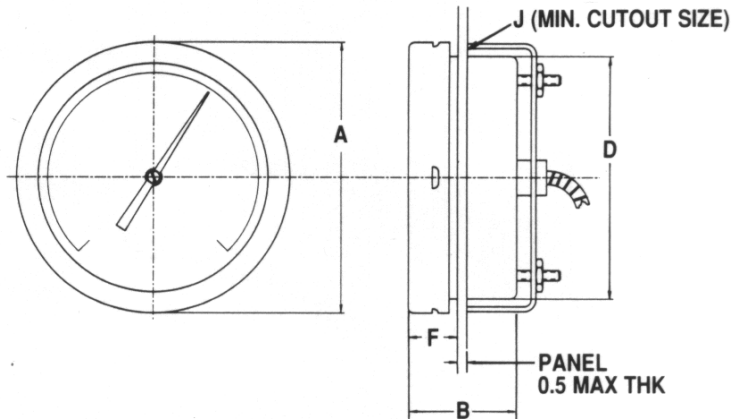
Stainless Steel Semi-Flush Front Flange Case with Bayonet Ring

Code S Dimensions		A	B	C	E	F	G	H	J
Size	Model No.								
6"	R 60 S	7.50	2.15	6.38	5.90	1.00	0.25	6.84	5.92



Stainless Steel "U" Clamp Case with Bayonet Ring

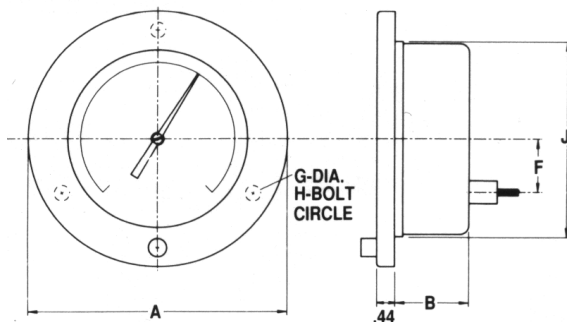
Code U Dimensions		A	B	D	F	J
Size	Model No.					
6"	R 60 U	6.38	2.00	5.88	0.88	5.92



Dimensions:

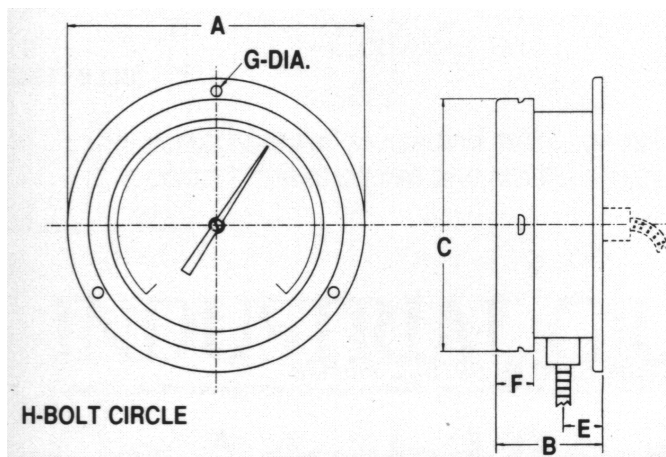
Aluminum Hinged Ring Front Flange Case

Code F Dimensions							
Size	Model No.	A	B	F	G	H	J
6"	R 60 F	7.81	1.63	1.35	0.19	6.69	6.50



Stainless Steel Back Flange Case with Bayonet Ring

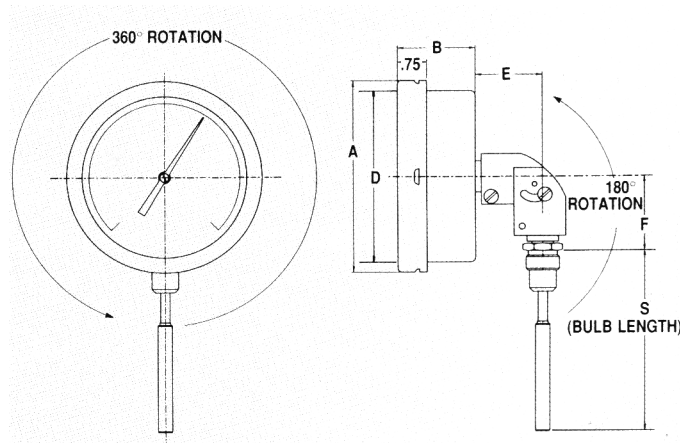
Code K Dimensions							
Size	Model No.	A	B	C	E	G	H
6"	R 60 K	7.50	2.15	6.38	0.60	0.28	6.84



Dimensions:

Stainless Steel Just-Rite Adjustable Angle with Bayonet Ring

Code V Dimensions		A	B	D	E	F
Size	Model No.					
6"	R 60 V	6.38	2.15	5.88	1.75	2.00



THE MEASURE OF
Total Performance™

Ordering Information:

State computer part number (if available) / type number / size / range / connection size and location / options required.

Specifications given in this price list represent the state of engineering at the time of printing. Modifications may take place and the specified materials may change without prior notice

07/00



WIKAI Instrument Corporation

1000 Wiegand Boulevard

Lawrenceville, Georgia 30043-5868

Tel: 770-513-8200 Fax: 770-338-5118

<http://www.wika.com> e-mail: info@wika.com