



## Capsule Pressure Gauges

Stainless Steel Case

Stainless Steel Wetted Parts

Low Pressure Series • Type 63X.50

### Pressure Gauges

#### Application

Industrial type gauge design for fluid medium which does not clog connection or corrode 316 stainless steel.

Example: process, chemical, petrochemical equipment.

#### Size

2½", 4", & 6" (63, 100, & 160 mm)

#### Accuracy

±1.5% of span

#### Ranges (All ranges not stocked)

2½": 16 "H<sub>2</sub>O to 240 "H<sub>2</sub>O (40 to 600 mbar)

4": 10 "H<sub>2</sub>O to 240 "H<sub>2</sub>O (6 to 600 mbar)

6": 1 "H<sub>2</sub>O to 240 "H<sub>2</sub>O (2.5 to 600 mbar)

or other equivalent units of pressure or vacuum.

#### Working Range

Steady: Full scale value

Fluctuating: 0.9 x full scale value

#### Operating Temperature

Ambient: -4°F to 140°F (-20°C to 60°C)

Media: max. 212°F (+100°C)

#### Temperature Error

Additional error when temperature changes from reference temperature of 68°F (20°C) ±0.6% for every 18°F (10°C) rising or falling. Percentage of span.

### Standard Features

#### Connection

Material: 316 stainless steel

Lower mount (LM)

Center back mount (CBM) - 2½"

Lower back mount (LBM) - 4", 6"

1/4" NPT or 1/2" NPT

#### Capsule Element

Material: 316 stainless steel

#### Movement

316 stainless steel . Zero adjustment screw on dial

#### Dial

White aluminum with black lettering

#### Pointer

Black aluminum (Zero adjust on dial. Must remove window to access)

#### Case

304 stainless steel with 304 stainless steel polished twist lock ring. Buna-N blow-out plug

#### Weather Protection

Weather resistant (NEMA 3 / IP 54)

#### Standard Scales

Inches H<sub>2</sub>O

PSI

#### Window Gasket

Buna-N



#### Window gasket

FPM (Viton)

#### Window

Safety glass

#### Order Options (min. order may apply)

Glycerine, silicone or Fluorolube case filling (**Type 633.50, 4&6" only**)

316 SS threaded restrictor

Stainless steel polished front flange

Stainless steel rear flange

U-Clamp bracket steel zinc plated with stainless steel polished profile ring

Front flange for 4½" panel cutout

Overpressure and vacuum protection

Liquid filling (4" & 6" only, ≥ 40"H<sub>2</sub>O) - **Type 633.50**

Glass window

Cleaned for oxygen service

Special connections limited to wrench flat area

DIN standards

Custom dial layout

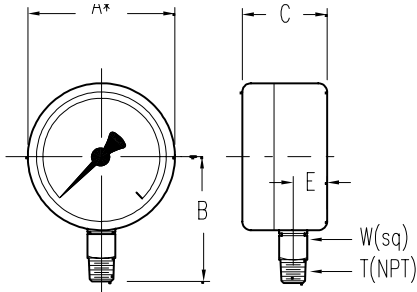
Other pressure scales available

Externally adjustable red mark pointer (set pointer)

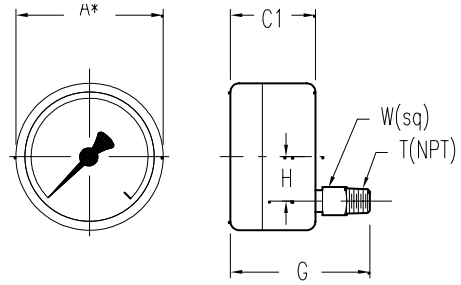
Externally adjustable red drag pointer (max. hand)

**APM 63X.50**  
**(APM 06.03)**

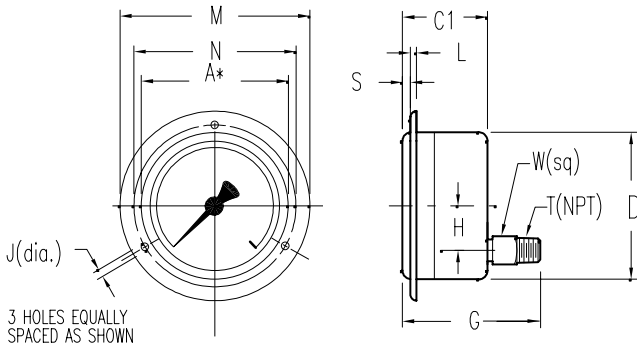
**Dimensions:**



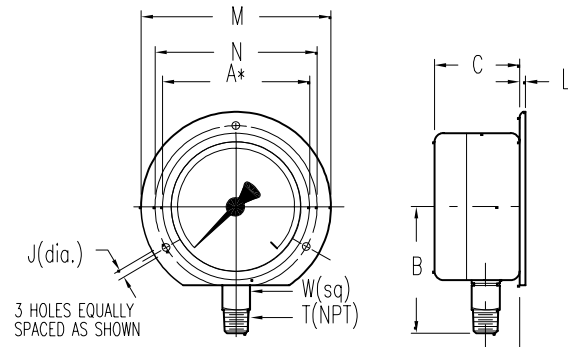
LOWER MOUNT



LOWER BACK MOUNT



LBM/FRONT FLANGE



LM/REAR FLANGE

A\* NOMINAL SIZE

TYPE/SIZE	WEIGHT	KEY	A*	B	C	C1	D	E	G	H	J	L	M	N	S	T	W
632.50 2.5"	0.41 lbs.	mm	63	51	42	42	62	9	58	--	4	3	85	75	5	1/4"	14
		in	2.50	2.00	1.65	1.65	2.44	0.35	2.28	--	0.14	0.12	3.35	2.95	0.2		.86
63X.50 4"	1.32 lbs.	mm	100	85	49.5	49.5	99	15.5	78	30	4.8	3	132	116	5	1/2"	22
		in	4.00	3.35	1.95	1.95	3.9	0.61	3.07	1.18	0.19	0.12	5.20	4.57	0.2		.86
63X.50 6"	2.42 lbs.	mm	160	116	49.5	49.5	159	15.5	78	50	5.8	3	196	178	5	1/2"	22
		in	6.00	4.57	1.95	1.95	6.26	0.61	3.07	1.97	0.23	0.12	7.72	7.00	0.2		.86

NOTE: <sup>1</sup> For 1/4" NPT connections, B dimension changes to 80mm / 3.15 in. (4") or 111mm / 4.37 in (6").  
<sup>2</sup> For 2.5" size, connection is center back mount (CBM)

Recommended panel cut-out: D + 1mm

THE MEASURE OF  
**Total Performance™**

**Ordering Information:**

State computer part number (if available) / type number / size / range / connection size and location / options required.

Specifications given in this price list represent the state of engineering at the time of printing. Modifications may take place and the specified materials may change without prior notice



**WIKAI Instrument Corporation**  
 1000 Wiegand Boulevard  
 Lawrenceville, Georgia 30043-5868  
 Tel: 770-513-8200 Fax: 770-338-5118  
<http://www.wika.com> e-mail: [info@wika.com](mailto:info@wika.com)