



Capsule Pressure Gauges

Stainless Steel Case

Copper Alloy Wetted Parts

Low Pressure Series • Type 612.20

Pressure Gauges

Application

Fluid medium, gaseous or dry, which does not clog connection port or corrode copper alloy. Example: low pressure pneumatic systems.

Size

4" (100mm)

Accuracy

± 1.5% of span

Ranges (All ranges not stocked)

4": 4 "H₂O to 240 "H₂O (10 to 600 mbar)
or other equivalent units of pressure or vacuum.

Working Range

Steady: Full scale value
Fluctuating: 0.9 x full scale value

Operating Temperature

Ambient: -4°F to 140°F (-20°C to 60°C)
Media: max. 212°F (+100°C)
max. 176°F (+80°C) for 4" LBM

Temperature Error

Additional error when temperature changes from reference temperature of 68°F (20°C) ±0.4% for every 18°F (10°C) rising or falling. Percentage of span.

Standard Features

Connection

Material: copper alloy
Lower mount (LM)
Lower back mount (LBM)
1/4" NPT or 1/2" NPT

Capsule Element

Material: copper alloy

Movement

Copper alloy, nickel-silver pinion gear and shaft. Zero adjustment screw on dial

Dial

White aluminum with black lettering

Pointer

Black aluminum (zero adjust on dial. Must remove window to access)

Case

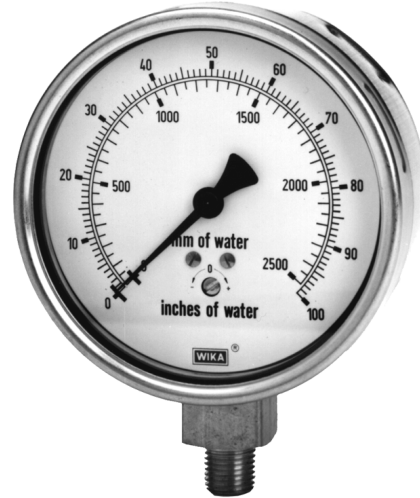
304 stainless steel with stainless steel bayonet ring

Weather Protection

Weather resistant (NEMA 3 / IP 54)

Standard Scales

in. H₂O/mm H₂O
oz.-sq. in./mm H₂O
oz.-sq. in./in. H₂O
PSI



Window Gasket

Buna-N

Window

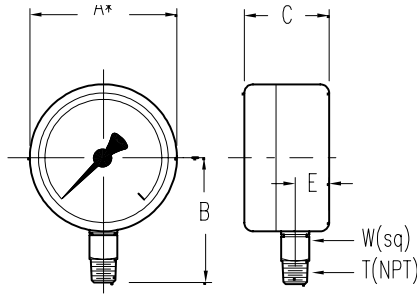
Flat window glass

Order Options (min. order may apply)

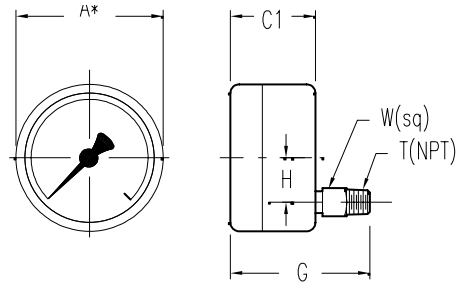
Front stainless steel polished
Brass threaded restrictor
U-Clamp bracket steel zinc plated with stainless steel polished profile ring
Safety glass window
Overpressure and underpressure protection
Cleaned for oxygen service
Medical specification
Special connections limited to wrench flat area
Nickel plated connection
Externally adjustable red mark pointer (set pointer)
Externally adjustable red drag pointer (max. pointer)
Custom dial layout
DIN standards
Other pressure scales available

APM 612.20
(APM 06.02)

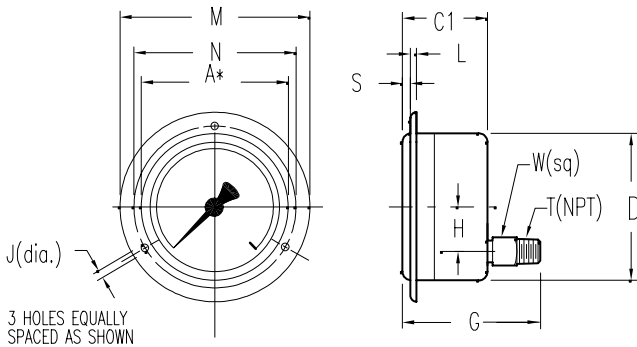
Dimensions:



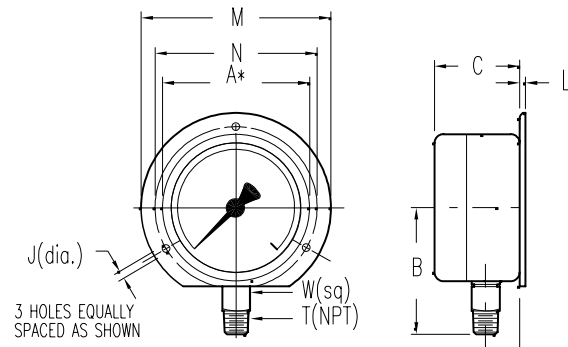
LOWER MOUNT



LOWER BACK MOUNT



LBM/FRONT FLANGE



LM/REAR FLANGE

A* NOMINAL SIZE

TYPE/SIZE	WEIGHT	KEY	A*	B	C	C1	D	E	G	H	J	L	M	N	S	T	W
612.20 4"	1.32 lbs.	mm	100	85	49.5	49.5	99	15.5	78	30	4.8	3	132	116	5	1/2"	22
		in	4.00	3.35	1.95	1.95	3.9	0.61	3.07	1.18	0.19	0.12	5.20	4.57	0.2		.86

Note: For 1/4" NPT connections, B dimension changes to 80mm / 3.15 in. (4") or 111mm / 4.37 in (6").

Recommended panel cut-out: D + 1 mm

THE MEASURE OF
Total Performance™

Ordering Information:

State computer part number (if available) / type number / size / range / connection size and location / options required.

Specifications given in this price list represent the state of engineering at the time of printing. Modifications may take place and the specified materials may change without prior notice



WIKAI Instrument Corporation
1000 Wiegand Boulevard
Lawrenceville, Georgia 30043-5868
Tel: 770-513-8200 Fax: 770-338-5118
<http://www.wika.com> e-mail: info@wika.com