



Sealgauge® Diaphragm Gauges

Stainless Steel Case

Stainless Steel Wetted Parts

Process Industry Series • Type 43X.50

Pressure Gauges

Application

Industrial type suitable for corrosive environments where the fluid medium does not clog connection or corrode stainless steel. Built to withstand corrosive, highly viscous and crystallizing medium. Diaphragm mechanically linked to movement, allowing use of a metallic diaphragm at low pressures. Eliminates system liquid filling and permits overpressurization up to five times the full scale range. Housing bolts limit maximum pressures to 600 PSI.

Sizes (All sizes not stocked)

4" and 6" (100 and 160 mm)

Accuracy

± 1.5% of span

Ranges (All ranges not stocked)

Vacuum / Compound to 30" HG / 0 / 200 PSI
Pressure from 10" H₂O to 100" H₂O (6" flange diameter)
Pressure from 6 PSI to 600 PSI (4" flange diameter)
or other equivalent units of pressure or vacuum

Working Range

Steady: Full scale value
Fluctuating: 0.9 x full scale value

Overpressure Safety

5 X full scale value, max. 600 PSI

Operating Temperature

Ambient: -4°F to 140°F (-20°C to 60°C)
Media: max. 212°F (+100°C)

Temperature Error

Additional error when temperature changes from reference temperature of 68°F (20°C) ±0.5% for every 18°F (10°C) rising or falling. Percentage of span.

Standard Features

Connection

Material: 316 stainless steel
Lower mount (LM)
1/2" NPT Female

Diaphragm Housing

Upper: 316 stainless steel
Lower: 316 stainless steel

Diaphragm Element

316 stainless steel with PTFE lining ($\leq 100''$ H₂O)
Duratherm (NiCoCr-Alloy) with PTFE lining ($\geq 200''$ H₂O)

Diaphragm Gasket

Viton®

Movement

Material: stainless steel

Dial

White aluminum with black lettering

Pointer

Adjustable black aluminum
Black aluminum, non-adjustable (433.50)



Case

304 stainless steel with blow-out disk and stainless steel bayonet ring.

Weather Protection

Weather resistant (NEMA 3 / IP 54) - dry case
Weather tight (NEMA 4X / IP 65) - liquid-filled case

Standard Scales

PSI or inches of H₂O

Window Gasket

Buna-N

Window

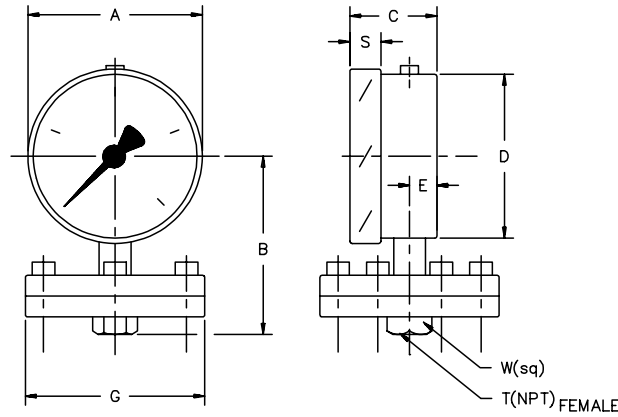
Laminated safety glass

Order Options (min. order may apply)

316 stainless steel case
10 X overpressure safety, max. 600 PSI
Underpressure safe to -30 " Hg
Glycerine, silicone & flourolube case filling (**Type 433.50**)
Special connections limited to wrench flat area
Open flange connections (300# ANSI maximum)
Instrument glass window
Acrylic plastic window
PTFE wetted parts (**Type 45X.50**)
Cleaned for oxygen service
Extended media temperature up to 392°F
DIN standards
Custom dial layouts
Other pressure scales available
Alarm contact switches magnetic and inductive
Transmitters
Diaphragm, wetted parts lined for open flange connections such as:
PFA or ECTFE powder coating, Hastelloy® B2 & C4, Monel®,
Tantalum or Titanium
Only male threaded connections are available with special materials.

APM 43X.50
(APM 04.03)

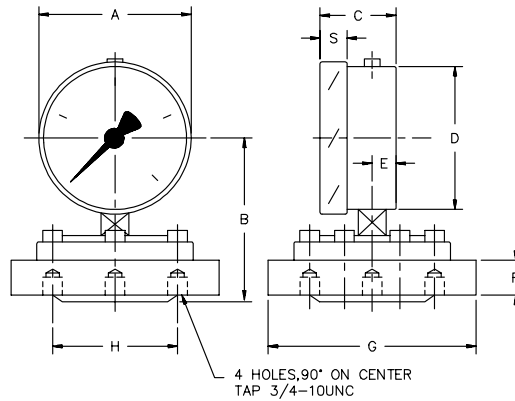
Dimensions:



A* NOMINAL SIZE

TYPE	WEIGHT	KEY	A*	B	C	D	E	G	S	T	W
4XX.50 4"	3.1 lbs.	mm	100	104	49.5	99	15.5	100	17.5	--	27
		in	4	4.09	1.95	3.90	0.61	3.94	0.69	1/2"	1.06
4XX.50 6"	4.0 lbs.	mm	160	134	49.5	159	15.5	100	17.5	--	27
		in	6	5.28	1.95	6.26	0.61	3.94	0.69	1/2"	1.06

NOTE: For ranges 4 PSI and lower, G dimension changes to 160 mm (6") and weight increases by 2.9 lbs.



Special Type 452.50 4" Flanged Connection Sealgauge.
Features all PTFE wetted parts and flanged connections.
Accuracy changes to $\pm 2.5\%$ of span.

A* NOMINAL SIZE

G* 160MM/6.0" FOR 100" H20 PSI AND LOWER

TYPE	WEIGHT	KEY	A*	B	C	D	E	G*	H	S
452.50 4" (ANSI 150#)	11.5 lbs.	mm	100	113	58	99	24	127	98.5	17.5
		in	4.0	4.45	2.28	3.89	.94	5.0	3.88	.69
452.50 4" (ANSI 300#)	13.6 lbs.	mm	100	122.2	58	99	24	155.4	114.3	17.5
		in	4.0	4.81	2.28	3.89	.94	6.12	4.50	.69

Monel® is a registered trademark of the INCO family of companies.

Hastelloy® is a registered trademark of the Cabot family of companies.

Viton® is a registered trademark of the DuPont family of companies.

**THE MEASURE OF
Total Performance™**

Ordering Information:

State computer part number (if available) / type number / size / range / connection size and location / options required.

Specifications given in this price list represent the state of engineering at the time of printing. Modifications may take place and the specified materials may change without prior notice



WIKAI Instrument Corporation
1000 Wiegand Boulevard
Lawrenceville, Georgia 30043-5868
Tel: 770-513-8200 Fax: 770-338-5118
<http://www.wika.com> e-mail: info@wika.com