



Bourdon Tube Pressure Gauges

Inspector's Test Gauge
Stainless Steel Case & Wetted Parts
Accuracy $\pm 0.25\%$ or $\pm 0.5\%$ of Span
Test Series • Type 332.54

Pressure Gauges

Application

Fluid medium which does not clog port or corrode 316 stainless steel. Designed for testing and calibration of other pressure measuring instruments.

Size

4" (100 mm)

Accuracy

$\pm 0.25\%$ of span (ASME B40.1 Grade 3A)
Ranges 0/30" Hg Vac through 0/600 psi
0.25% of span (ASME B40.1 Grade 3A)
Ranges 0/2000 psi through 0/20,000 psi
0.25% of span (ASME B40.1 Grade 3A)
Note: Not available in ranges 600>2000psi

Ranges (All ranges not stocked)

Vacuum / Compound to 30"HG / 0 / 200 PSI
Pressure from 15 PSI to 10,000 PSI
or other equivalent units of pressure or vacuum

Working Range

Steady: Full scale value
Fluctuating: 0.9 x full scale value
Short time: 1.3 x full scale value

Operating Temperature

Ambient: -40°F to 140°F (-40°C to 60°C)
Media: max. 212°F (+100°C)

Temperature Error

Additional error when temperature changes from reference temperature of 68°F (20°C) $\pm 0.4\%$ for every 18°F (10°C) rising or falling. Percentage of span.

Standard Features

Connection

Material: 316 stainless steel
Lower mount (LM)
1/4" or 1/2" NPT

Bourdon Tube

Material: 316 stainless steel
30"Hg (Vac) to 1000 PSI C-type
1500 PSI to 10,000 PSI helical type

Movement

Stainless steel

Dial

White aluminum with black lettering and mirrored band.

Pointer

Black aluminum, micrometer adjustable, with knife edge.

Case

304 stainless steel with vent plug and polished stainless steel bayonet ring. Welded case to socket connection.

Weather Protection

Weather resistant (NEMA 4X / IP 54)



Standard Scale

PSI

Window Gasket

Buna-N

Window

Laminated safety glass

Other

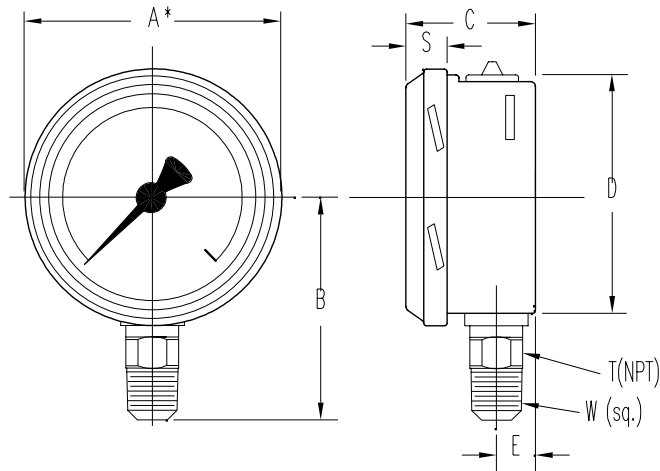
Supplied standard with a zippered nylon carry case

ORDER OPTIONS (min. order may apply)

Custom dial layout
316 SS threaded restrictor
Acrylic window
Flat glass window
Special connections limited to wrench flat area
Other pressure scales available:
Bar, kPa, Kg/cm² and dual scales
DIN standards
Cleaned for oxygen service
Drag pointer

APM332.54
(APM 03.10)

Dimensions:



A* NOMINAL SIZE

TYPE/SIZE	WEIGHT	KEY	A*	B	C	D	E	S	T	W
332.54 4"	1.76 lbs.	mm	100	82	49	100	16	15	--	22
		in	4.0	3.23	1.93	3.94	.63	.59	1/4"	.87

NOTE: For gauges with 1/2" NPT connection, add 5mm (0.02 in.) to "B" dimension

THE MEASURE OF
Total Performance™

Ordering Information:

State computer part number (if available) / type number / size / range / connection size and location / options required.

Specifications given in this price list represent the state of engineering at the time of printing. Modifications may take place and the specified materials may change without prior notice

05/02



WIKA Instrument Corporation
 1000 Wiegand Boulevard
 Lawrenceville, Georgia 30043-5868
 Tel: 770-513-8200 Fax: 770-338-5118
<http://www.wika.com> e-mail: info@wika.com