



Bourdon Tube Pressure Gauges

Refrigeration Gauges

Red/Blue/Black ABS Cases or Steel Cases

Copper Alloy Wetted Parts

Standard Series • Type 111.11RF

Pressure Gauges

Application

Fluid medium which does not clog connection port or corrode copper alloy. Specifically designed for refrigeration media applications.

Size

2½" (68 mm)

Accuracy

± 1% / 2% / 5% of span

1% accuracy at zero pressure

2% accuracy in the first 75% of the scale

5% accuracy in the last 25% of the scale

Ranges

0/120 PSI, retard to 350 PSI

0/500 PSI

Working Range

Steady: 3/4 of full scale value¹

Fluctuating: 2/3 of full scale value¹

Short time: full scale value

Operating Temperature

Ambient: -40°F to +150°F (-40°C to +65°C)

Media: max. +150°F (+65°C)

Temperature Error

Additional error when temperature changes from reference temperature of 68°F (20°C) ±0.4% for every 18°F (10°C) rising or falling. Percentage of span.

Standard Features

- Zero-point adjustment on dial
- Supplied with a brass restrictor in gauge socket
- CBM designed for u-clamp panel mounting
- Extra protection from vibration
- 330° dial arc

Connection

Material: copper alloy

Lower mount (LM)

Center back mount (CBM)

1/8" or 1/4" NPT

Bourdon Tube

Material: copper alloy

15 PSI to 600 PSI C-type

800 PSI to 6000 PSI helical type

Movement

Copper alloy, lubricated

Dial

White aluminum with stop pin and red or blue lettering.

Pointer

Black aluminum

Case

Red or blue ABS - (LM)

Black ABS - (CBM)



U-clamp Bracket

Zinc-plated steel with two threaded screws (CBM only)

Standard Scales

PSI and equivalent R12, R22, & R502 refrigeration scales

Window

Twist-lock polycarbonate

Order Options (min. order may apply)

Special case colors

Special connections limited to wrench flat area

Red, blue, or black painted steel case

Custom dial layout

EN 837-1 (DIN) standards

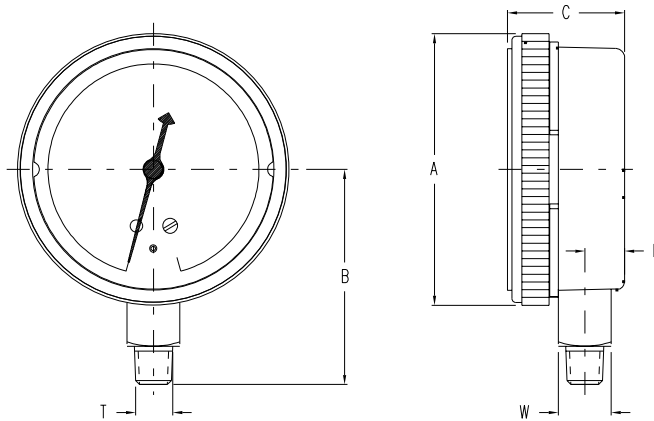
Other refrigeration scales available

Other pressure scales available:

Bar, kPa, MPa, Kg/cm² and dual scales

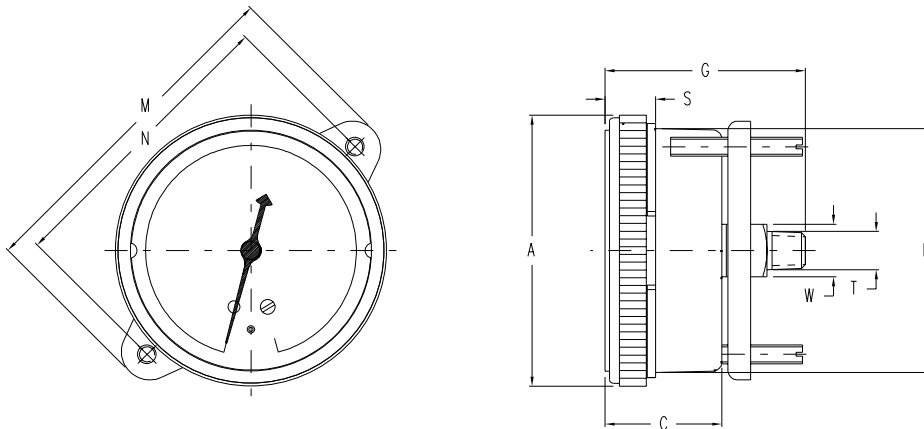
¹ Full scale value of un-retarded range

Dimensions:



A* NOMINAL SIZE

TYPE/SIZE	WEIGHT	KEY	A*	B	C	D	T	W
111.11R 2½" LM	0.25 lbs.	mm	72.4	57	31	10.6	1/8" NPT	14
		in	2.85	2.24	1.22	0.42		0.55



A* NOMINAL SIZE

TYPE/SIZE	WEIGHT	KEY	A*	B	C	G	M	N	S	T	W
111.11R 2½" CBM/UC	0.30 lbs.	mm	72.4	65	31	53	91	78	13.5	1/8" NPT	14
		in	2.85	2.56	1.22	2.09	3.58	3.07	0.53		0.55

THE MEASURE OF
Total Performance™

Ordering Information:

State computer part number (if available) / type number / size / range / connection size and location / options required.

Specifications given in this price list represent the state of engineering at the time of printing. Modifications may take place and the specified materials may change without prior notice



WIKAI Instrument Corporation

1000 Wiegand Boulevard

Lawrenceville, Georgia 30043-5868

Tel: 770-513-8200 Fax: 770-338-5118

http://www.wika.com e-mail: info@wika.com