



# Bourdon Tube Pressure Gauges

## Welding and Compressed Gas Gauges

### Painted Steel Case and Polished Brass Case

#### Copper Alloy Wetted Parts

Standard Series • Type 111.11

## Pressure Gauges

### Application

Fluid medium which does not clog connection port or corrode copper alloy. Typically welding, cutting and related processes. Any medium which oxidizes with oil based materials.

### Sizes

1½", 2" and 2½" (41, 53 and 68 mm)

### Accuracy

± 3/2/3% of span (ASME B40.1 Grade B)

### Ranges (All ranges not stocked)

Vacuum / Compound to 30"HG / 0 / 200 PSI

Pressure from 10 PSI to 6000 PSI

or other equivalent units of pressure or vacuum

### Working Range

Steady: 3/4 of full scale value

Fluctuating: 2/3 of full scale value

Short time: full scale value

### Operating Temperature

Ambient: -40°F to 140°F (-40°C to 60°C)

Media: max. 140°F (+60°C)

### Temperature Error

Additional error when temperature changes from reference temperature of 68°F (20°C) ±0.4% for every 18°F (10°C) rising or falling. Percentage of span.

## Standard Features

- Cleaned for oxygen service
- Ranges 30 to 1,000 PSI UL-252A listed
- Ranges 1,500 to 6,000 PSI UL-404 listed; supplied with a brass restrictor in gauge socket.

### Connection

Material: copper alloy

Lower mount (LM)

1/8" or 1/4" NPT limited to wrench flat area

### Bourdon Tube

Material: copper alloy

15 PSI to 600 PSI C-type (low-copper content for use with acetylene)

800 PSI to 6000 PSI helical type

### Movement

Copper alloy

### Dial

White aluminum with stop pin and black lettering.

"USE NO OIL" in red on dial

### Pointer

Black aluminum non-adjustable

### Case

1½" gold painted steel

2" and 2½" drawn polished brass or gold painted steel.

Blow-out relief through connection opening at bottom of case

### Standard Scales

PSI



### UL-252A Listed

for ranges 30 psi to 1,000 psi



### UL-404 Listed

for ranges 1,500 psi to 6,000 psi



### Window

Twist-lock polycarbonate

### Order Options (min. order may apply)

Special case colors

Special connections limited to wrench flat area

Nickel-plated socket

Black ABS case

Chrome-plated steel case

Chrome-plated ABS case

Stainless steel case

Custom dial layout

Brass restrictor for ranges below 1500 PSI

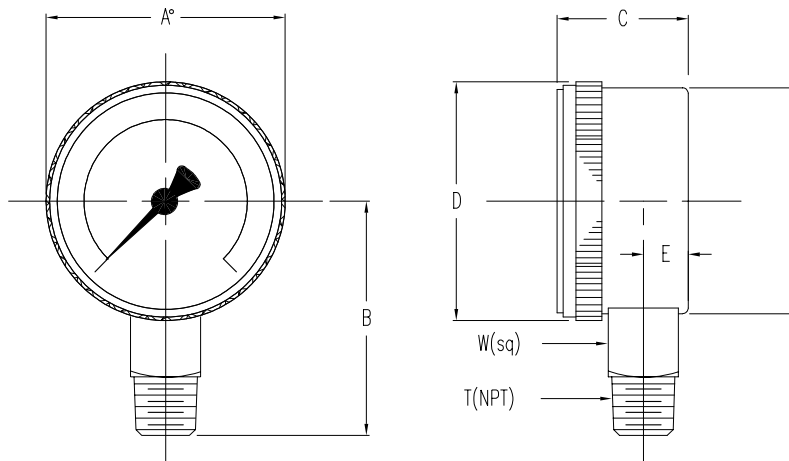
DIN standards

Other pressure scales available:

Bar, kPa, Mpa, Kg/cm<sup>2</sup> and dual scales

Center back mount (CBM) 1½", 2"

**Dimensions:**



A\* NOMINAL SIZE

TYPE/SIZE	WEIGHT	KEY	A*	B (1)	C (2)	D	E (3)	F	T	W
111.11 1.5" LM	0.14 lbs.	mm	41	36.6	24	42.9	9	---	---	12
		in	1.5	1.44	0.94	1.69	0.35	---	1/8"	.47
111.11 2" LM	0.24 lbs.	mm	53	54	29	58	10.5	50.8	---	14
		in	2.0	2.12	1.14	2.28	0.42	2.0	1/4"	.55
111.11 2.5" LM	0.33 lbs.	mm	68	60	31	72.4	12	67.6	---	14
		in	2.5	2.36	1.22	2.85	0.47	2.66	1/4"	.55

(1) For 1/8" NPT, "B" dimension changes as follows: 2" size - 2.0" (51mm) 2½" size - 2.24" (57mm)  
 (2) For 2½" painted steel case, C dimension changes to 1.14" (29mm)  
 (3) For 2½" painted steel case, E dimension changes to 0.35" (9mm)

THE MEASURE OF  
**Total Performance™**

**Ordering Information:**

State computer part number (if available) / type number / size / range / connection size and location / options required.

Specifications given in this price list represent the state of engineering at the time of printing. Modifications may take place and the specified materials may change without prior notice



**WIKAI Instrument Corporation**  
 1000 Wiegand Boulevard  
 Lawrenceville, Georgia 30043-5868  
 Tel: 770-513-8200 Fax: 770-338-5118  
<http://www.wika.com> e-mail: [info@wika.com](mailto:info@wika.com)