



Pressure Gauge Accessories

Pressure Gauge Siphons

Type 910.15

Accessories, Mechanical

Application

Pressure gauge siphons are used to protect the pressure gauge from the effect of hot pressure media such as steam and also to reduce the effect of rapid pressure surges. The pressure medium forms a condensate and is collected inside the coil or pigtail portion of the siphon. The condensate prevents the hot media from coming in direct contact with the pressure instrument. When the siphon is first installed, it should be filled with water or any other suitable separating liquid.

Forms

Pigtail siphon
Coil siphon

Standard Features

Pressure Connection

See table on reverse side

Materials

Brass
Steel A120, schedule 40
Steel A106B, schedule 80 & 160
316 stainless steel, schedules 80 & 160
Chrome Moly steel (A335 P22), XX Heavy

Optional Extras

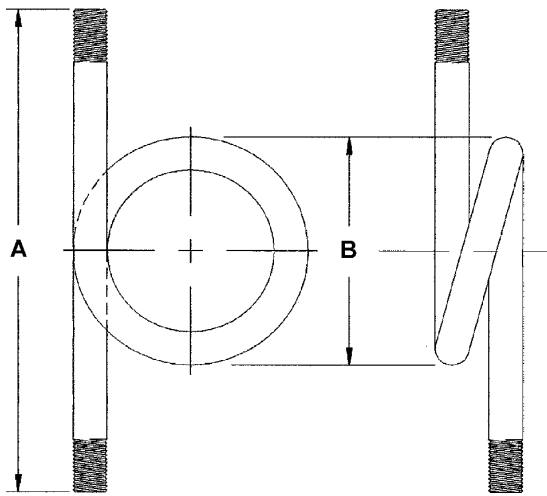
Alternate threads
316 stainless steel cleaned for oxygen service



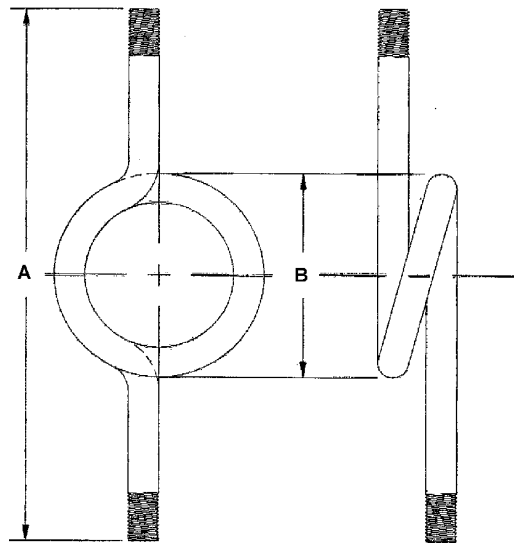
AAM 910.15

(AAM 09.06)

Dimensions



Type 910.15 Pigtail Siphon



Type 910.15 Coil Siphon

Pigtail Siphons

| Form | Body Material | Size | Press. Rating (PSI) | Temp. Rating (°F) | A (in.) ± 0.25 | B (in.) ± 0.25 | Part Number |
|------|---------------|----------|---------------------|-------------------|----------------|----------------|-------------|
| d | Brass | 1/4" NPT | 250 | 400 | 5.5 | 2.5 | 4201779 |
| | Steel, Sch 40 | 1/4" NPT | 500 | 400 | 5.5 | 2.5 | 4201787 |
| | 316SS | 1/4" NPT | 500 | 400 | 5.5 | 2.5 | 4201761 |

Coil Siphons

| Form | Body Material | Size | Press. Rating (PSI) | Temp. Rating (°F) | A (in.) ± 0.25 | B (in.) ± 0.50 | Part Number |
|------|-----------------|----------|---------------------|-------------------|----------------|----------------|-------------|
| b | Brass | 1/4" NPT | 250 | 400 | 7.25 | 2.63 | 4201809 |
| | Steel, Sch 40 | 1/4" NPT | 500 | 400 | 7.25 | 2.63 | 4201817 |
| | Steel, Sch 80 | 1/4" NPT | 3360 | 400 | 7.25 | 2.63 | 4201825 |
| | Steel, Sch 80 | 1/2" NPT | 3000 | 400 | 12.0 | 2.63 | 4201833 |
| | Steel, Sch 160 | 1/2" NPT | 3620 | 700 | 12.0 | 4.13 | 4201841 |
| | 316SS, Sch 80 | 1/2" NPT | 2650 | 500 | 12.0 | 4.13 | 4201850 |
| | 316SS, Sch 160 | 1/2" NPT | 5600 | 500 | 12.0 | 4.13 | 4201795 |
| | Chr. Moly (XXH) | 1/2" NPT | 8205 | 750 | 12.0 | 4.13 | 4201868 |

THE MEASURE OF
Total Performance™

Ordering Information:

State computer part number (if available) / model number / size / range / connection size and location / options required.

Specifications given in this price list represent the state of engineering at the time of printing. Modifications may take place and the specified materials may change without prior notice



WIKAL Instrument Corporation
1000 Wiegand Boulevard
Lawrenceville, Georgia 30043-5868
Tel: 770-513-8200 Fax: 770-338-5118
<http://www.wika.com> e-mail: info@wika.com